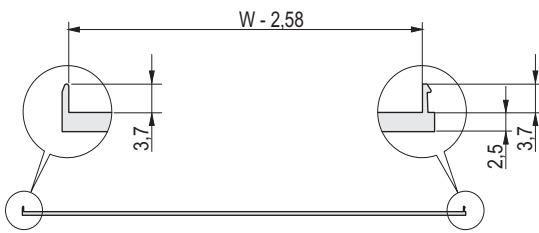
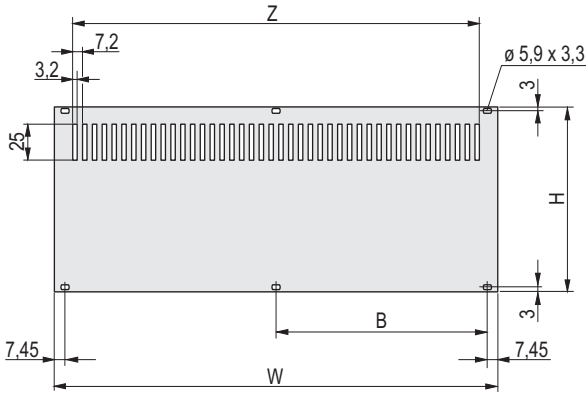


Desk-top cases – RatiopacPro/ -air

REAR PANELS WITH VENTILATION SLOTS



Shieldable

01802055



Unshielded

01804050

- Two versions:
unshielded, Al, 2.5 mm;
shieldable, Al extrusion (textile EMC seal, retrofittable)
- Mounting on horizontal rails (top and bottom)

DELIVERY COMPRISES

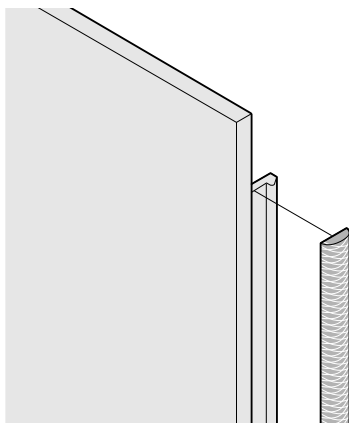
Item	Qty	Description
1	1	Rear panel, Al, 2.5 mm, front: anodised, rear: iridescent green chromated; unshielded or shieldable with EMC seal (textile)

ORDER INFORMATION

Height U	H mm	Width W HP mm	B mm	unshielded Part no.	shieldable Part no.
2, 3-air	84	28 141.9	-	30849-007	20848-679
2, 3-air	84	42 213	101.6	30849-014	20848-680
2, 3-air	84	63 319.7	157.5	30849-015	20848-681
2, 3-air	84	84 426.4	208.3	30849-016	20848-682
3, 4-air	128.4	28 141.9	-	30849-008	20848-633
3, 4-air	128.4	42 213	101.6	30849-021	20848-634
3, 4-air	128.4	63 319.7	157.5	30849-022	20848-635
3, 4-air	128.4	84 426.4	208.3	30849-023	20848-636
4, 5-air	172.9	28 141.9	-	30849-009	20848-656
4, 5-air	172.9	42 213	101.6	30849-028	20848-657
4, 5-air	172.9	63 319.7	157.5	30849-029	20848-658
4, 5-air	172.9	84 426.4	208.3	30849-030	20848-659
5, 6-air	217.3	28 141.9	-	30849-011	20848-744
5, 6-air	217.3	42 213	101.6	30849-171	20848-745
5, 6-air	217.3	63 319.7	157.5	30849-172	20848-746
5, 6-air	217.3	84 426.4	208.3	30849-173	20848-747
6, 7-air	261.8	28 141.9	-	30849-010	20848-640
6, 7-air	261.8	42 213	101.6	30849-035	20848-641
6, 7-air	261.8	63 319.7	157.5	30849-036	20848-642
6, 7-air	261.8	84 426.4	208.3	30849-037	20848-643

- Please order textile EMC seals separately
- Assembly parts see page Chapter 7, Front panels
- Rear/front panels without perforation see Chapter 7, Front panels
- Rear panels with fan available on request

TEXTILE EMC SEALS



04602054

DELIVERY COMPRISES

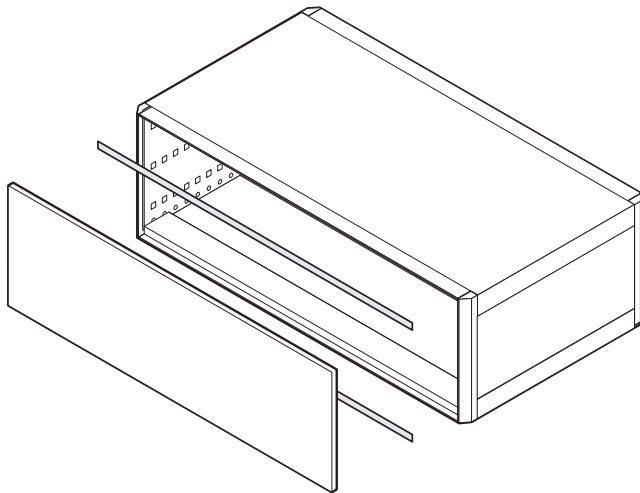
Item	Qty	Description
1	10/100	Textile EMC seal, core: foam, sleeve: textile cladding with CuNi coating

ORDER INFORMATION

Height U	Height mm	Qty/PU pieces	Part no.
2, 3-air	52	10	21101-857
3, 4-air	97	100	21101-854
3, 4-air	97	10	21101-853
4, 5-air	142	10	21101-858
5, 6-air	187	10	21101-978
6, 7-air	232	100	21101-856
6, 7-air	232	10	21101-855

Desk-top cases – RatiopacPro/ -air

EMC SEALING FRONT/REAR PANEL TO HORIZONTAL RAIL


rpp6739

- The contact strip is clipped onto the horizontal rail and sets up the contact to front panel or rear panel
- Can be used for rear horizontal rails (H-VT, L-VT) and all front horizontal rails

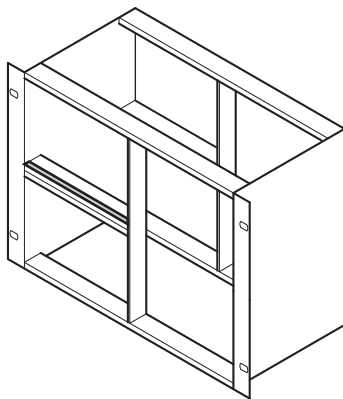
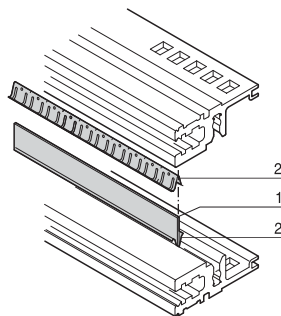
DELIVERY COMPRISES

Item	Qty	Description
1	10/100	Stainless steel EMC gasket

ORDER INFORMATION

Width HP	Width mm	Qty/PU	Part no.
28	131.78	10	24560-229
42	202.9	10	24560-231
63	304.8	10	24560-233
84	416.3	10	24560-235
84	416.3	100	24560-236

EMC SEALING HORIZONTAL RAIL TO HORIZONTAL RAIL


BPA46548

B2A45877

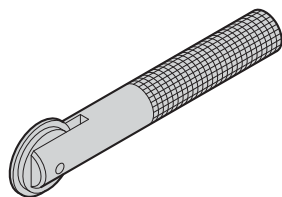
- For shielding of two horizontal rails located directly above each other with vertical division of the mounting height

DELIVERY COMPRISES

Item	Qty	Description
1	1	Cover strip, Al, 1 mm
2	2	Contact spring, St, stainless

ORDER INFORMATION

Length HP	Part no.
20	24562-520
28	24562-528
40	24562-540
42	24562-542
63	24562-563
84	24562-584
Assembly tool for EMC sealing, St, stainless (horizontal rails), 1 piece	24560-271


aza45937

Assembly tool