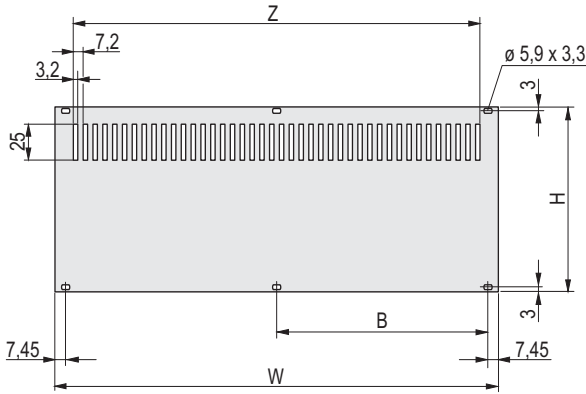
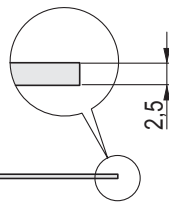


# Desk-top enclosure – PropacPRO

## REAR PANEL, PERFORATED, FOR MOUNTING ON HORIZONTAL RAILS

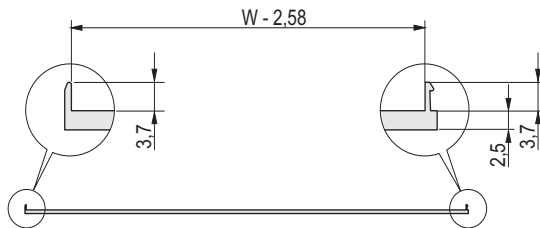


01802055



01804050

Unshielded



01802055

Shieldable

- Two versions: unshielded, Al, 2.5 mm shieldable, Al extrusion (textile EMC gasketing retrofittable)

### DELIVERY COMPRISES

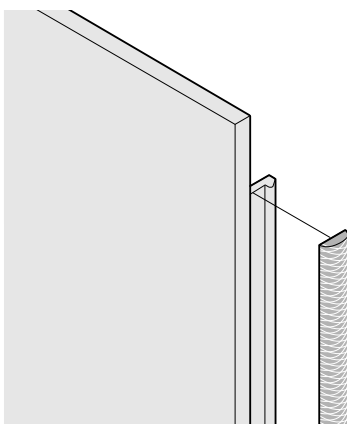
Item	Qty	Description
1	1	Rear panel, Al, 2.5 mm, front: anodised, rear: iridescent green chromated; unshielded or shieldable with EMC sealing (textile)

### ORDER INFORMATION

Height U	H mm	Width W HP mm	B mm	h mm	unshielded Part no.	shieldable Part no.
2	84	28	141.9	–	78	<b>30849-007</b> 20848-679
2	84	42	213	101.6	78	<b>30849-014</b> 20848-680
2	84	63	319.7	157.5	78	<b>30849-015</b> 20848-681
2	84	84	426.4	208.3	78	<b>30849-016</b> 20848-682
3	128.4	28	141.9	–	122.4	<b>30849-008</b> <b>20848-633</b>
3	128.4	42	213	101.6	122.4	<b>30849-021</b> 20848-634
3	128.4	63	319.7	157.5	122.4	<b>30849-022</b> 20848-635
3	128.4	84	426.4	208.3	122.4	<b>30849-023</b> <b>20848-636</b>
4	172.9	28	141.9	–	166.9	<b>30849-009</b> 20848-656
4	172.9	42	213	101.6	166.9	<b>30849-028</b> 20848-657
4	172.9	63	319.7	157.5	166.9	<b>30849-029</b> 20848-658
4	172.9	84	426.4	208.3	166.9	<b>30849-030</b> 20848-659
6	261.8	28	141.9	–	255.8	<b>30849-010</b> 20848-640
6	261.8	42	213	101.6	255.8	<b>30849-035</b> <b>20848-641</b>
6	261.8	63	319.7	157.5	255.8	<b>30849-036</b> 20848-642
6	261.8	84	426.4	208.3	255.8	<b>30849-037</b> <b>20848-643</b>

- Please order textile EMC gasket separately
- EMC gasket rear panel - horizontal rail see page 5.65
- Horizontal rails see page 5.67
- Assembly parts see page 6.63

## TEXTILE EMC GASKET



04602054

- The textile EMC gasket is glue fixed laterally on the front panel, always in the groove on the right-hand side of the profile
- Temperature range -40 °C ... +70 °C

### DELIVERY COMPRISES ()

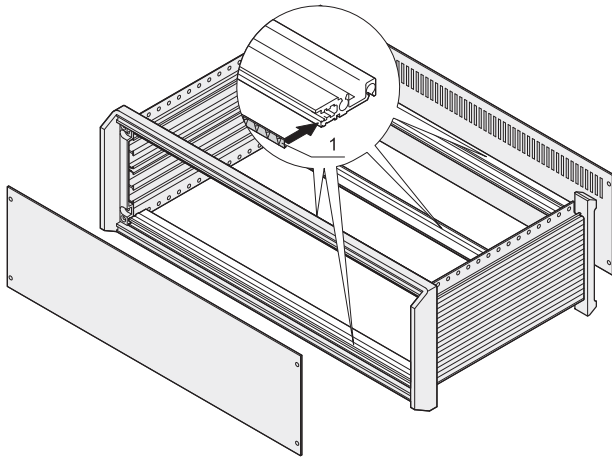
Item	Qty	Description
1	10/100	Textile EMC gasket, core: foam, sleeve: textile cladding with CuNi coating

### ORDER INFORMATION

Height U	Height mm	Qty/PU pieces	Part no.
2	52	10	<b>21101-857</b>
3	97	100	<b>21101-854</b>
3	97	10	<b>21101-853</b>
4	142	10	<b>21101-858</b>
6	232	100	<b>21101-856</b>
6	232	10	<b>21101-855</b>

# Desk-top enclosure – PropacPRO

## EMC GASKET, STAINLESS STEEL, BETWEEN FRONT/REAR PANEL AND HORIZONTAL RAIL



05806109

- The EMC contact strip is clipped onto the horizontal rail and forms a conductive link to front or rear panel
- Can be used for front/rear horizontal rails type VT (recessed)

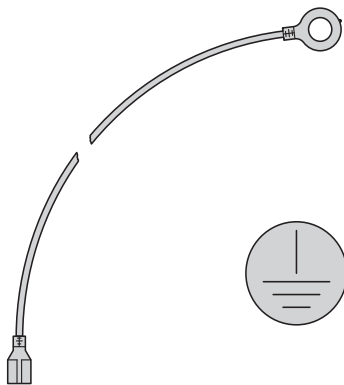
### DELIVERY COMPRISES

Item	Qty	Description
1	10/100	EMC gasket, St, stainless

### ORDER INFORMATION

Width HP	Length mm	Qty/PU pieces	Part no.
28	131.78	10	<b>24560-229</b>
42	202.9	10	<b>24560-231</b>
63	304.5	10	<b>24560-233</b>
84	416.56	10	<b>24560-235</b>
84	416.56	100	<b>24560-236</b>

## GND/EARTHING KIT



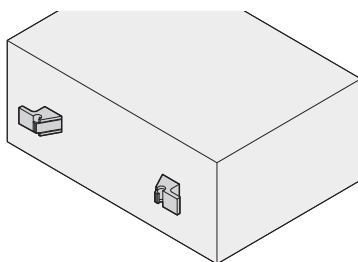
02243284

- Protective GND/earthing connections in accordance with:
  - DIN EN 50178/VDE 0160
  - DIN EN 60950/VDE 0805
  - DIN EN 61010-1/VDE 0411 part 1
  - DIN EN 61010-1A2/VDE 0411 part 1A1
- VDE tested

### ORDER INFORMATION

Description	Part no.
GND/earthing kit, Cu wire 1.5 mm <sup>2</sup> , PVC sleeve, green/yellow, links side panels, base and rear panel, 1 piece	<b>21102-001</b>

## CABLE HOLDER



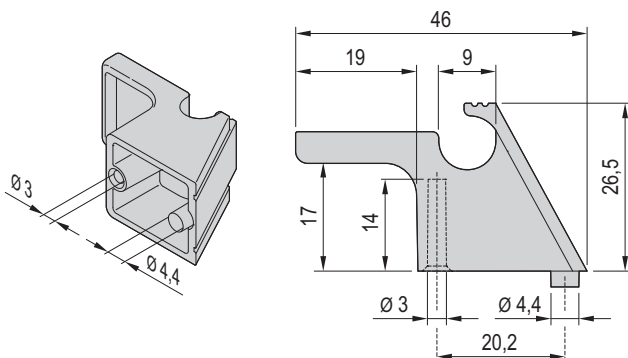
02908053

### DELIVERY COMPRISES

Item	Qty	Description
1	2	Cable holder, ABS, UL V-94 0, RAL 7016, detent for cables between 8 mm and 12 mm
2	1	Drilling template, two drill holes each per holder are needed in rear panel
3	1	Assembly kit

### ORDER INFORMATION

Description	Part no.
Cable holder	<b>24575-800</b>



02908052