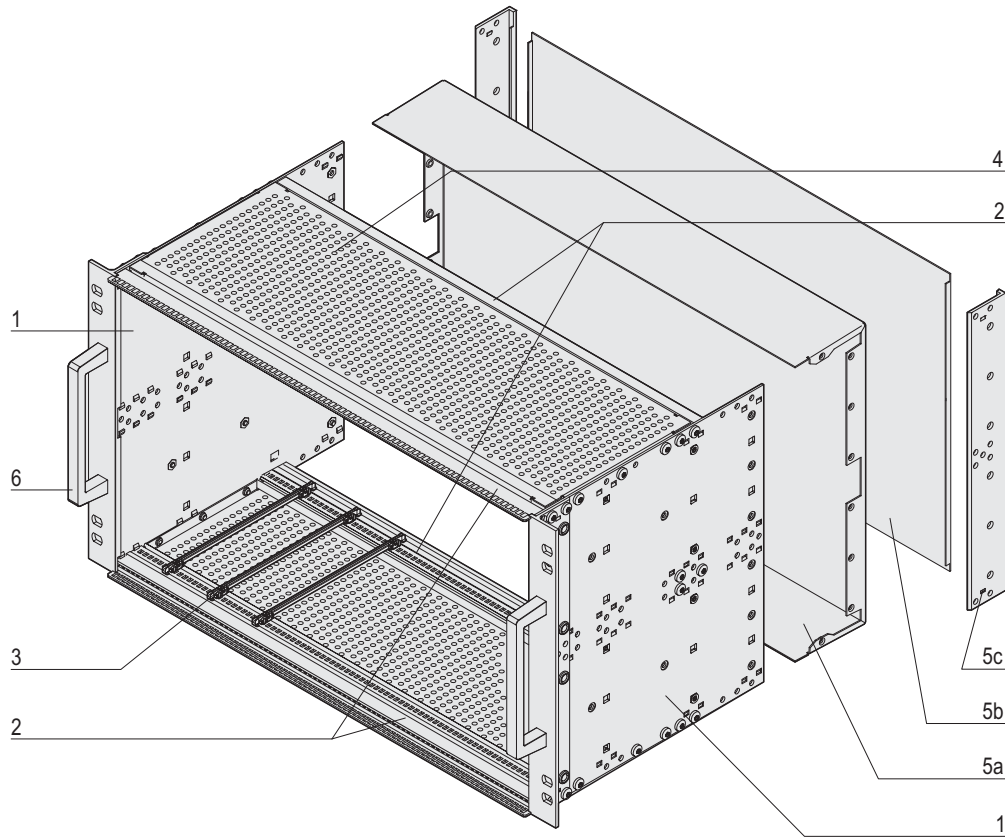


# Subracks – EuropacPRO

## OVERVIEW OF INDIVIDUAL COMPONENTS FOR SHIELDED OR UNSHIELDED SUBRACKS

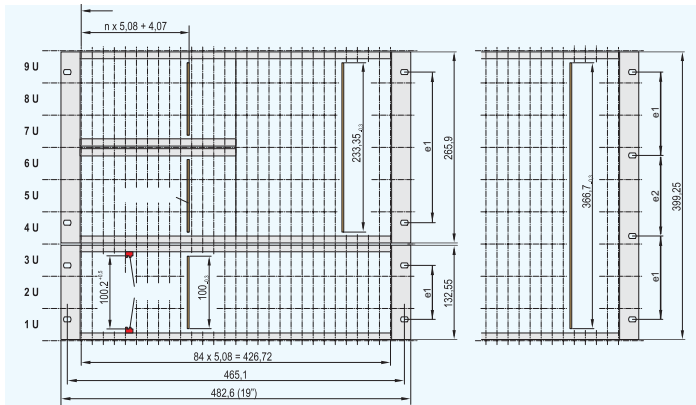


06108086

| Item   | Description                                | Description   | page |
|--------|--|---|------|
| Item 1 | Side panel                                 | Establishes the height and depth of the subrack;<br>Al, 2 mm, with universal hole positions for assembly of accessories.<br>Three versions: The "flexible" one with separate 19" brackets as well as two others with integrated 19" brackets for "light" and "heavy" applications.                  | 6.21 |
| Item 2 | Horizontal rail                            | Establishes the width of the subrack;<br>Al extrusion, with defined hole positions for guide rails, grooves for threaded inserts, M4 thread, functional rail shapes, basically differing with regard to their mechanical loading capacity: "light" (load up to 7.5 kg) and "heavy" (load > 7.5 kg). | 6.29 |
| Item 3 | Guide rails                                | Act as interface between subracks and boards, for different board formats, are available in plastic or metal, optionally codable and can be fitted with ESD clips to allow electrostatic discharge, also optionally.  | 6.37 |
| Item 4 | Cover plates                               | Provide mechanical protection and/or EMC shielding and are perforated.  | 6.44 |
| Item 5 | Rear/front                                 | Rear hood (5a) or front panel (5b) with corner profile (5c) act as support for EMC shielding gaskets used in conjunction with shielded front panels.<br>Note: Rear hood and corner profile cannot be fitted simultaneously.   | 6.49 |
| Item 6 | Handles                                    | Can be mounted on the 19" brackets.   | 6.27 |
| -      | EMC shielding (without illustration)       | Extensive component range for specific shielding of subracks with respect to their application.   | 6.54 |
| -      | Interior assemblies (without illustration) | Universal assemblies, e.g. for horizontal and vertical assembly and for mounting plates.  | 6.59 |

# Subracks – EuropacPRO

## SUBRACK DIMENSIONS



- Dimensions in accordance with international standards EC 60297-3-100, IEEE 1101.1/.10/.11; please see the SCHROFF Standards Summary for details
- Side panels
  - Aluminium, 2 mm
  - Round holes for mounting horizontal rails (depth grid 15 mm)
  - Impressions on the inner side of the side panel act as an anti-rotation guard and positioning aid for the horizontal rails
  - Square holes (6 x 6 mm) provide universal fixing for components such as backplane shielding; version without square holes available on request



06197003

### Depth grid

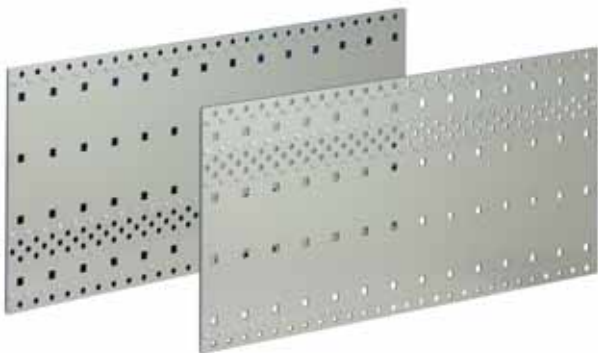
The depth grid is 15 mm, the mounting holes in the side panel are decisive for the configurability of individual components; thus any combination of various individual parts is possible



06108008

### Side panel 3 U, 6 U and 9 U

3 and 6 U panels have the same hole positions (the 6 U is a doubling vertically of the 3 U); thus subdivisions can be made in the vertical dimension (6 U: 2 x 3 U; 9 U: 3 x 3 U)



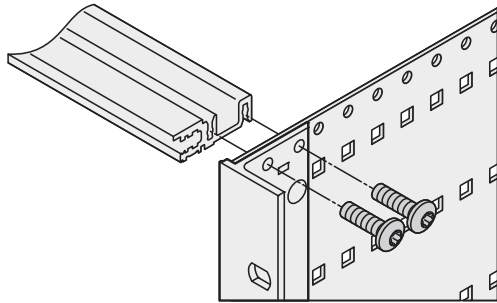
06108011

### Side panel 4 U

4 U side panels have the same hole positions as 3 U and additionally 1 U (above or beneath the 3 U installation); this height allows the construction of a 3 U unit with 1 U clearance for cabling or airflow

# Subracks – EuropacPRO

## SIDE PANELS



Side panel - horizontal rail assembly

- Aluminium
- Round holes for mounting horizontal rails (depth grid 15 mm)
- Impressions on the inner side of the side panel act as an anti-rotation guard and positioning aid for the horizontal rails
- Square holes (6 x 6 mm) provide universal fixing for components such as backplane shielding; version without square holes available on request
- Only one type of screw driver is needed for the assembly (torx panhead screw, M4 x 14; torque side panel - horizontal rail 2.4 Nm; torque side panel - cover plate 1.3 Nm)
- 4 versions of the side panel:
  - Type F = flexible
  - Type H = heavy
  - Type L = light
  - Type R = rugged

06108062

### NOTE

- Type R - rugged side panels see "Rugged Subracks" section, page 6.97



### Type F (flexible)

- Universal version: 19" bracket (please order separately) can be fitted variably to front, rear or depth-offset
- Heights: 3, 4, 6 and 9 U  
Depths: 175, 235, 275, 277.75, 295, 355, 415 and 475 mm;  
Other dimensions on request
- 2 EMC shielding concepts for the front/rear:  
stainless steel or textile EMC gasket
- Installed load up to 11 kg

06197003



### Type H (heavy)

- 19" bracket is tox-cold welded to side panel; particularly designed for mechanically demanding environments (vibration resistance, applications requiring high levels of shock and vibration, e.g. IEC 61587-2)
- Heights: 3 and 6 U  
Depths: 175, 235, 295 and 355 mm  
Other dimensions on request
- 2 EMC shielding concepts for the front/rear:  
with stainless steel or textile EMC gasket
- Installed load up to 15 kg

06197004



### Type L (light)

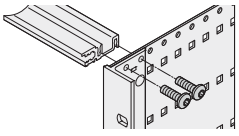

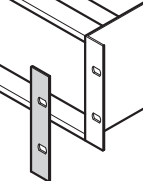
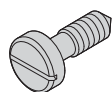
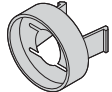
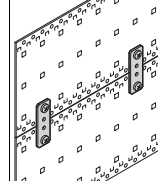
- Side panel with moulded 19" bracket, for standard applications, unshielded
- Particularly cost-effective version (not suitable for EMC applications)
- Heights: 3 and 6 U  
Depths: 175, 235 and 295 mm  
Other dimensions on request
- Installed load up to 7.5 kg

06197002

# Subracks – EuropacPRO

## SIDE PANELS TYPE L

### ORDER INFORMATION

|  |           | Side panel type L  | Front cover  | Collar screw with slot for assembly of front cover   | Sleeves for assembly of front cover  | Side panel connection   |
|--|-----------|--|--|--|--|---|
|  |           |  06197002<br>Al, 2 mm, passivated |  BZA45810<br>for decorative finish of 19" bracket, Al, 2 mm, anodised |  06708055<br>M6 x 16, St, nickel-plated |  00508056<br>PPE, black |  BPA45867<br>Zn die-cast, incl. fixing material kit, for connecting two by two side panels (on top of each other) |
| Height U   | Depth mm  | 1 piece  |  | PU 100 pieces  | PU 100 pieces  | PU 4 pieces   |
| 3  | 175       | <b>34561-185</b>   |  |  |  |   |
| 3  | 235       | <b>34561-187</b>   |  |  |  |   |
| 3  | 275 1)    | -  |  |  |  |   |
| 3  | 277.75 2) | -  |  |  |  |   |
| 3  | 295       | <b>34561-189</b>   | <b>34561-197</b>   | <b>21100-565</b>   | <b>21100-566</b>   | <b>21101-954</b>  |
| 3  | 355       | -  |  |  |  |   |
| 3  | 415       | -  |  |  |  |   |
| 3  | 475       | -  |  |  |  |   |
| 4  | 175 3)    |  |  |  |  |   |
| 4  | 235 3)    |  |  |  |  |   |
| 4  | 295 3)    | -  |  |  |  |   |
| 4  | 355 3)    |  |  |  |  |   |
| 4  | 415 3)    |  |  |  |  |   |
| 4  | 475 3)    |  |  |  |  |   |
| 6  | 175       | <b>34561-485</b>   |  |  |  |   |
| 6  | 235       | <b>34561-487</b>   |  |  |  |   |
| 6  | 275 1)    | -  |  |  |  |   |
| 6  | 277.75 2) | -  |  |  |  |   |
| 6  | 295       | <b>34561-489</b>   | <b>34561-497</b>   | <b>21100-565</b>   | <b>21100-566</b>   | <b>21101-954</b>  |
| 6  | 355       | -  |  |  |  |   |
| 6  | 415       | -  |  |  |  |   |
| 6  | 475       | -  |  |  |  |   |
| 6  | 970       | -  |  |  |  |   |
| 9  | 175       |  |  |  |  |   |
| 9  | 235       |  |  |  |  |   |
| 9  | 295       | -  |  |  |  |   |
| 9  | 355       |  |  |  |  |   |
| 9  | 415       |  |  |  |  |   |
| Screw, M4 x 14, PU 100 pieces, for fastening horizontal rail to side panel       |           | <b>24560-130</b>   | -  | -  | -  | -   |
| Screw, M4 x 10, required if guide rails are screwed to slot 1, PU 100 pieces     |           | <b>24560-155</b>   | -  | -  | -  | -   |

1) CompactPCI 2) VME64x 3) Grid holes of side panel 3 + 1 U