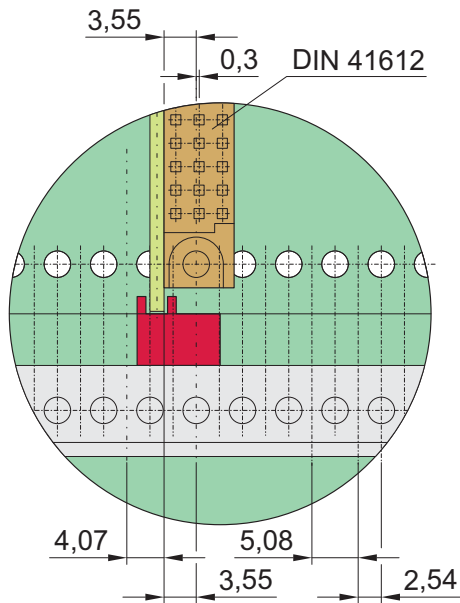


Subracks – EuropacPRO

GUIDE RAILS



Front view: position of guide rails to connector (EN 60603-2/ DIN 41612) 06108083

Guide rails form the interface between the subrack mechanics and the sub-assemblies (PCBs, plug-in units, frame-type plug-in units, ...).

Guide rails for standard applications are 2 HP wide. Guide rails with coding (e.g. for CompactPCI or VME64bus applications) are 4 HP wide.

There are groove widths of 2 mm and 2.5 mm.

The guide rails are clipped into the rectangular cut-outs of the horizontal rails. They can additionally be bolted to the horizontal rail (type H only) for higher shock and vibration requirements.

The printed HP markings on the horizontal rail (28 HP and above) allow the rails to be fitted in the correct position easily (position of sub-assembly = "number in viewing window" or in front of the arrow marking on the guide rails).

Applications for guide rails

For plug-in units and frame-type plug-in units (with front panels) (standard type)

For plug-in units and frame type plug-in units or for PCBs without their own front panel (accessory type or robust version)

For CompactPCI or VME64x plug-in units (type IEEE with coding; frame-type plug-in units cannot be fitted)

For plug-in drive unit modules or PCBs in 4.4" (111.7 mm) height (type 4.4")

Rugged guide rails to accommodate conduction cooled assembly (CCA) adaptor

Accessories:

- ESD clip
- Keying/coding pegs
- Board locking



06102001



06102002



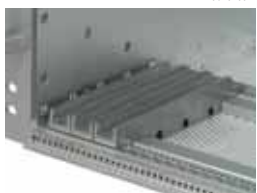
06102005



06106001



06104009


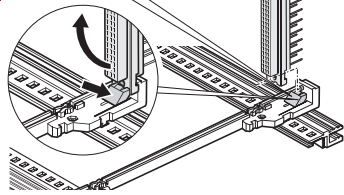


06112022

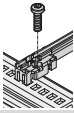
Subracks – EuropacPRO

GUIDE RAILS FOR PLUG-IN UNITS AND MODULES, ONE-PIECE, GROOVE WIDTH 2 MM AND 2.5 MM

ORDER INFORMATION

			For plug-in units and frame type plug-in units standard type		standard type, with DIN connector fixing
Assembly - can be clipped into Al extruded horizontal rails - can be clipped into 1.5 mm thick plates Storage temperature from -40 °C ... 130 °C					
			up to 220 mm length, PBT, UL 94 V-0; from 280 mm length, multi-piece, end piece PBT, UL 94 V-0, central section Al extrusion	PBT, UL 94 V-0	PBT, UL 94 V-0, red, connector is clipped directly onto the guide rails; for euroboards only, 100 x 160 mm or 100 x 220 mm
Board length mm	Groove width mm	Colour mm	PU 10 pieces ²⁾	1 piece (SPQ 50) ¹⁾	1 pair (SPQ 10) ¹⁾
70	2	red	–	34579-230	–
70	2	grey	–	34579-231	–
160	2	red	24560-351	64560-001	64560-074
220	2	red	24560-353	64560-002	64560-075
280	2	red	24560-379	–	–
340	2	red	24560-380	–	–
160	2.5	red	–	64560-096	–
220	2.5	red	–	64560-098	–

Accessories

Retention screw, PU 100 pieces; Torque max. 0.2 Nm 	24560-141	–	24560-141
ESD clip, PU 50 pieces	24560-255		24560-255

1) SPQ (standard pack quantity): Part number includes 1 piece, but delivery is exclusively made in standard pack quantity (SPQ); please order at least the SPQ quantity or a multiple


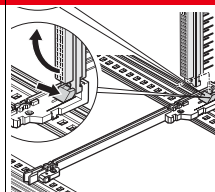
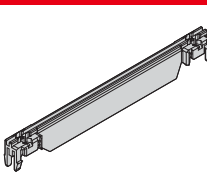

2) Part no. includes one packing unit (PU); delivery is exclusively made in PU

Description of accessories see from page 6.43

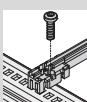
Subracks – EuropacPRO

GUIDE RAILS TYPE "ACCESSORY", ONE-PIECE, GROOVE WIDTH 2 MM AND 2.5 MM

ORDER INFORMATION

			Guide rails accessory type		"Accessories" with DIN connector mounting	accessory type, strengthened	for heavy modules, Al extrusion, silver, robust version
Assembly - can be clipped into Al extruded horizontal rails - can be clipped into 1.5 mm thick plates Storage temperature from -40 °C ... +130 °C			 up to 280 mm length, PBT, UL 94 V-0; > 280 mm length, multi-piece, end piece PBT, UL 94 V-0, middle section Al extrusion		 PBT, UL 94 V-0, connector is bolted directly onto the guide rails, only suitable for euroboards 100 x 160 mm or 100 x 220 mm	 PBT UL 94 V-0, red; support beam of guide rails adds to strengthening	 Al extrusion; is screwed to horizontal rail "heavy" with retention screws
Board length mm	Groove width mm	Colour	PU 10 pieces ²⁾	1 piece (SPQ 50)	PU 10 pairs ²⁾	1 piece (SPQ 50)	1 piece (SPQ 10) ¹⁾
100	2	red	-	64560-082	-	-	-
160	2	red	24560-373	64560-005	24560-274	64560-076	-
160	2	grey/silver	-	64560-055	24560-276	-	34562-881
220	2	red	24560-374	64560-006	24560-275	64560-078	-
220	2	grey/silver	-	64560-166	24560-277	-	34562-882
280	2	red/silver	24560-375	-	-	64560-080	34562-883
340	2	red/silver	24560-376	-	-	-	34562-884
400	2	red/silver	-	-	-	-	34562-885
160	2.5	silver	-	-	-	-	34564-881
220	2.5	silver	-	-	-	-	34564-882
280	2.5	silver	-	-	-	-	34564-883
340	2.5	silver	-	-	-	-	34564-884
400	2.5	silver	-	-	-	-	34564-885

Accessories

Retention screw, PU 100 pieces; torque max. 0.2 Nm 	24560-141	24560-141	24560-141	24560-141	24560-157
ESD clip, PU 50 pieces	24560-255	24560-255	24560-255	24560-255	-
Board locking C, red, PU 10 pieces	24560-377	24560-377	24560-377	24560-377	-
Board handle C, red, PU 10 pieces	24560-378	24560-378	24560-378	24560-378	-
Identification strips for board handle, red, PU 1 sheet = 438 pieces	60817-228	60817-228	60817-228	60817-228	-
Coding see page	6.43				-

1) SPQ (standard pack quantity): Part number includes 1 piece, but delivery is exclusively made in standard pack quantity (SPQ); please order at least the SPQ quantity or a multiple

2) Part no. includes one packing unit (PU); delivery is exclusively made in PU

Description of accessories see from page 6.43

Subracks – EuropacPRO

GUIDE RAILS FOR COMPACTPCI, VME64X WITH CODING, 4.4" PCBs, GROOVE WIDTH 2 MM AND 2.5 MM

ORDER INFORMATION

			For CompactPCI, VME64x with coding In accordance with IEEE 1101.10 and IEC 60297-3-103		Offset 0.1" for power supply units in accordance with IEEE 1101.10 and IEC 60297-3-103		For 4.4" PCBs	
Assembly - can be clipped into Al extruded horizontal rails - can be clipped into 1.5 mm thick plates Storage temperature from -40 °C ... 130 °C			 					
			One-piece for groove width 2 mm, PBT, UL 94 V-0; multi-piece at groove width 2,5 mm, end-piece PBT, UL 94 V-0, center piece Al profile	PBT, UL 94 V-0	PBT, UL 94 V-0, for installation of power supplies in CompactPCI systems or plug-in units with SMD placement		One-piece, PBT, UL 94 V-0; for 4.4" PCBs or drive unit modules	
Board length	Groove width	Colour	PU 10 pieces	1 piece (SPQ 50) ¹⁾	PU 10 pieces	1 piece (SPQ 50) ¹⁾	PU 10 pieces	1 piece (SPQ 50) ¹⁾
mm	mm	mm						
70	2	red	24560-355	64560-085	-	-	-	-
70	2	grey	24560-360	64560-086	-	-	-	-
160	2	red	24560-356	64560-089	-	-	24560-361	64560-143
160	2	grey	24560-358	64560-090	-	-	-	-
160	2	green	-	-	24560-359	64560-071	-	-
220	2	red	-	64560-091	-	-	24560-362	64560-144
220	2	grey	-	64560-092	-	-	-	-
220	2	green	-	-	-	64560-072	-	-
160	2.5	red	-	-	-	-	-	64560-145
220	2.5	red	24561-330	-	-	-	-	64560-146
220	2.5	grey	24561-340	-	-	-	-	-
280	2.5	red	24561-331	-	-	-	-	-
280	2.5	grey	24561-341	-	-	-	-	-
340	2.5	red	24561-332	-	-	-	-	-
340	2.5	grey	24561-342	-	-	-	-	-

Accessories

ESD clip, PU 50 pieces	24560-255	24560-255	-	-	-	-
ESD clips, for alignment pin, PU 50 pieces	24560-256	24560-256	24560-256	24560-256	-	-
Retention screw, PU 100 pieces; torque max. 0.2 Nm	24560-141	24560-141	24560-141	24560-141	24560-158	24560-158
Coding peg, PU 100 pieces	20817-501	20817-501	20817-501	20817-501	-	-

1) SPQ (standard pack quantity): Part number includes 1 piece, but delivery is exclusively made in standard pack quantity (SPQ); please order at least the SPQ quantity or a multiple





2) Part no. includes one packing unit (PU); delivery is exclusively made in PU

Description of accessories see from page 6.43

Subracks – EuropacPRO

GUIDE RAILS, MULTI-PIECE, GROOVE WIDTH 2 MM

ORDER INFORMATION

			For plug-in units and modules standard type		Accessories type		For 4.4" PCBs			
<p>PCBs: Fixed lengths for 160, 220, 280, 340 mm; length 1000 mm for special dimensions</p> <p>Mounting: pluggable into horizontal rails</p> <p>Storage temperature : End piece -40°C ... +130°C PVC profile 0°C ... +60°C</p>			 <p>06106004</p> <p>end piece, PBT, UL 94 V-0, middle section Al extrusion</p>		 <p>06106005</p> <p>end piece, PBT, UL 94 V-0, middle section plastic extrusion Al extrusion</p>		 <p>06106006</p> <p>end piece, PBT, UL 94 V-0, middle section Al extrusion</p>		 <p>end piece, PBT, UL 94 V-0, middle section plastic extrusion (PVC, RAL 7035)</p>	
Description	Length mm	Groove width mm	1 piece (SPQ 10) ¹⁾	1 piece (SPQ 10) ¹⁾	1 piece (SPQ 10) ¹⁾	1 piece (SPQ 10) ¹⁾	1 piece (SPQ 10) ¹⁾	1 piece (SPQ 10) ¹⁾	1 piece (SPQ 10) ¹⁾	
End piece, red, 1 pair		2	64560-004	64560-004	64560-008	64560-008	64560-057	64560-057	64560-057	
Al extrusion, for 160 mm board length	95	2	34560-891	34564-891	34560-891	34564-891	34560-891	34564-891	34564-891	
Al extrusion, for 220 mm board length	155	2	34560-892	34564-892	34560-892	34564-892	34560-892	34564-892	34564-892	
Al extrusion, for 280 mm board length	215	2	34560-893	34564-893	34560-893	34564-893	34560-893	34564-893	34564-893	
Al extrusion, for 340 mm board length	275	2	34560-894	–	34560-894	–	34560-894	–	–	
Al extrusion, for any board length	1000	2	34560-900	–	34560-900	–	34560-900	–	–	
Plastic extrusion, for any board length	1000	2	–	34564-900	–	34564-900	–	34564-900	34564-900	

Accessories

ESD clip, PU 50 pieces	24560-255	24560-255	24560-255	24560-255	–	–
Retention screw, PU 100 pieces; torque max. 0.2 Nm	24560-141	24560-141	24560-141	24560-141	24560-158	24560-158
Board locking C, red, PU 10 pieces	–	–	24560-377	24560-377	–	–
Board handle C, red, PU 10 pieces	–	–	24560-378	24560-378	–	–
Identification strips for board handle, red, PU 1 sheet = 438 pieces	–	–	60817-228	60817-228	–	–
Coding see page	–	–	see page 6.43		–	–

1) SPQ (standard pack quantity): Part number includes 1 piece, but delivery is exclusively made in standard pack quantity (SPQ); please order at least the SPQ quantity or a multiple

2) Part no. includes one packing unit (PU); delivery is exclusively made in PU

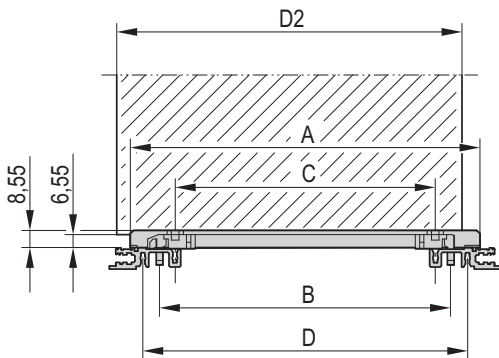
Description of accessories see from page 6.43

NOTE

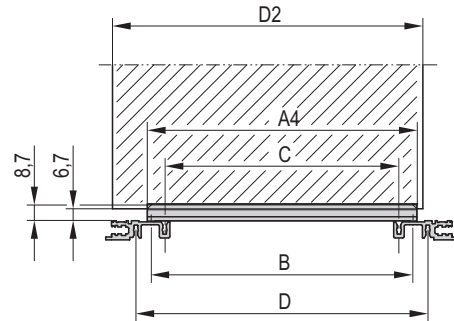
- Strengthening for middle section (plastic extrusion) available on request

Subracks – EuropacPRO

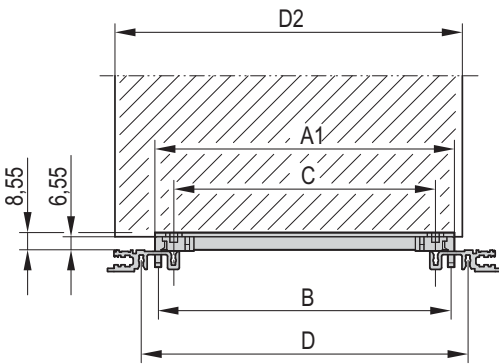
DIMENSION DRAWINGS OF GUIDE RAILS

Standard


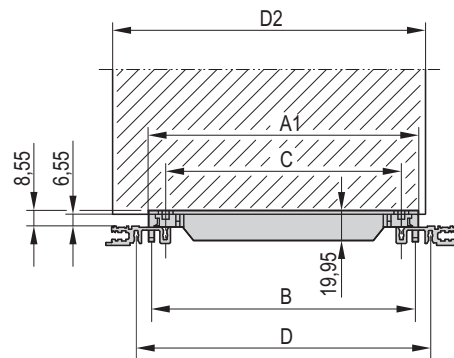
bza45808

Robust version


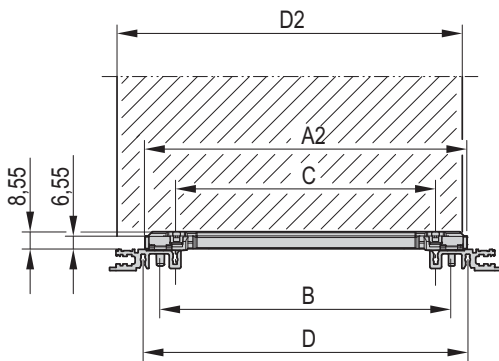
06105074

For accessories


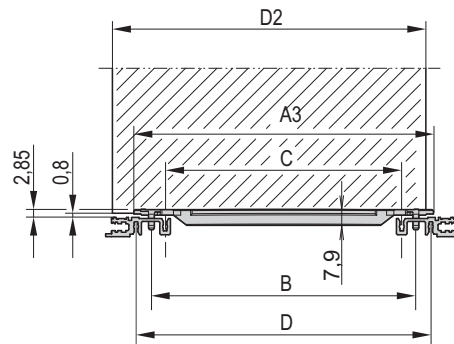
bza45808

For accessories, strengthened


bza46552

CompactPCI, VME64x


06105068

4.4" (111.7 mm)


06105069

Dimensions table

Board length	Dimensions							
L	A	A1	A2	A3	A4	B	C	D
mm	mm	mm	mm	mm	mm	mm	mm	mm
70	71.5	47.9	59.39	63	49	45	30	60
100	101.5	77.9	89.39	93	79	75	60	90
160	161.5	137.9	149.39	153	139	135	120	150
220	221.5	197.9	209.39	213	199	195	180	210
280	281.5	257.9	269.39	273	259	255	240	270
340	341.5	317.9	322.39	333	319	315	300	330
400	401.5	377.9	389.39	393	379	375	360	390

A, A1, A2, A3, A4: Length of rail

B: Pitch of snap-in fixing

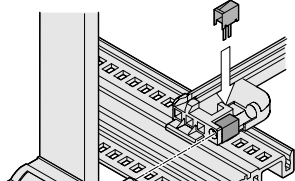
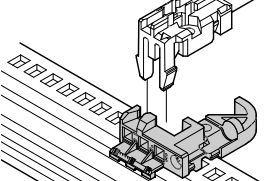
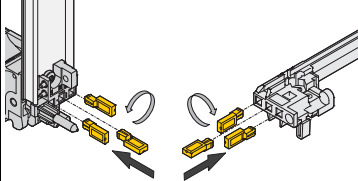
C: Pitch of guide rail retention screws

D: Pitch of horizontal rail retention screws

Subracks – EuropacPRO

GUIDE RAIL ACCESSORIES

ORDER INFORMATION

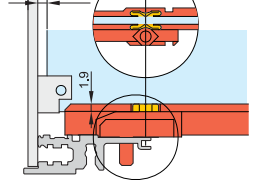
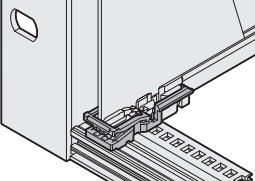
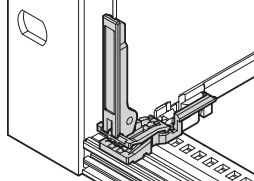
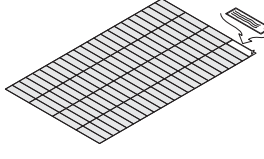
		ESD clips, CompactPCI/VME 64 alignment pin for guide rails	Coding for subracks	Keying/coding block for guide rails accessory type	Keying/coding for CompactPCI, VME64x handles to IEEE 1011.10 and IEC 60297-3-103
		 <p>06103052</p> <p>Spring steel, tin-plated, ESD clip, for alignment pin in accordance with IEEE; can be plugged into the guide rails with coding and into the keying/coding block; provides conductive contact between the alignment pin of the insertion/extractor handle (IEL or IET handle) and the horizontal rail</p>	 <p>06103051</p> <p>PBT, UL 94 V-0, keying/coding block is clipped into the horizontal rail next to the guide rail; please order keying/coding pegs separately</p>	 <p>04612052</p> <p>Keying/coding peg, PBTP, UL 94 V-0, RAL 7035 The keying/coding pegs prevent plug-in units to be mounted in wrong slots. They are inserted in the chambers of the codable card guides as well as in the insertion/extractor handles IEL or IET (4 possible positions), resulting in 64 codings per card guide; when coding the upper and lower card guide, 4096 codings will result;</p>	
Assembly	Colour	PU 50 pieces	1 piece (SPQ 50)	PU 100 pieces	
above	red	–	34579-232	–	
	grey	–	34579-233	20817-501	
	silver	24560-256	–	–	
below	red	–	34579-234	–	
	grey	–	34579-235	20817-501	
	silver	24560-256	–	–	

1) SPQ (standard pack quantity): Part number includes 1 piece, but delivery is exclusively made in standard pack quantity (SPQ); please order at least the SPQ quantity or a multiple

2) Part no. includes one packing unit (PU); delivery is exclusively made in PU

GUIDE RAIL ACCESSORIES

ORDER INFORMATION

		ESD clips for guide rails	Board locking C for PCBs without front panel; for accessory type guide rails	PCB handle C for board locking; for accessory type guide rails	Identification strips
		 <p>04503050</p> <p>Spring steel, tin-plated, provides conductive contact between board and horizontal rail, on both the solder side and the component side</p>	 <p>04805050</p> <p>PBT, UL 94 V-0, red, to fix the PCB in the subrack (also slot 1), can also be used without board handle, minimum distance 3 HP</p>	 <p>04805051</p> <p>PBT, UL 94 V-0, red, insertion/extraction function with connection to board locking (also slot 1), mounting directly behind front panel (above and below), minimum distance 3 HP</p>	 <p>06108076</p> <p>Polyester film, 31 x 4 mm, self-adhesive, white/matt (1 A4 sheet contains 438 pieces)</p>
Assembly	Colour	silver	red	red	white/matt
mm		PU 50 pieces	PU 10 pieces	PU 10 pieces	1 piece
above/below		24560-255	24560-377	24560-378	60817-228