

Modular PCB Terminal Blocks 2.5 mm² Pin Spacing 5/5.08 mm, 7.5/7.62 mm, 10/10.16 mm 236 Series



- Modular terminal blocks with CAGE CLAMP® connection, screwdriver actuation parallel or perpendicular to conductor entry
- versions with Ex e (increased safety) approval
- For custom terminal strip assemblies
- Operating tools for factory wiring
- 45° conductor entry angle provides a wide variety of applications and wiring options
- Set to metric or inch pin spacing by compressing terminal strips together or pulling them apart

Technical data:

Pin Spacing	5/5.08 mm 0.2 in			7.5/7.62 mm 0.3 in			10/10.16 mm 0.4 in		
	IEC/EN 60664-1			IEC/EN 60664-1			IEC/EN 60664-1		
Rating per									
Overtoltage category	III	III	II	III	III	II	III	III	II
Pollution degree	3	2	2	3	2	2	3	2	2
Rated voltage	250 V	320 V	630 V	400 V	630 V	1000 V	630 V	1000 V	1000 V
Rated surge voltage	4 kV	4 kV	4 kV	6 kV	6 kV	6 kV	8 kV	8 kV	8 kV
Nominal current	24 A	24 A	24 A	24 A	24 A	24 A	24 A	24 A	24 A
Approvals per	UL/CSA			UL/CSA			UL/CSA		
Use group UL 1059	B	C	D	B	C	D	B	C	D
Rated voltage	300 V	-	300 V	300 V	-	300 V	300 V	-	300 V
Nominal current UL	15 A	-	10 A	15 A	-	10 A	15 A	-	10 A
Nominal current CSA	15 A	-	10 A	15 A	-	10 A	15 A	-	10 A

Conductor and solder pin data:

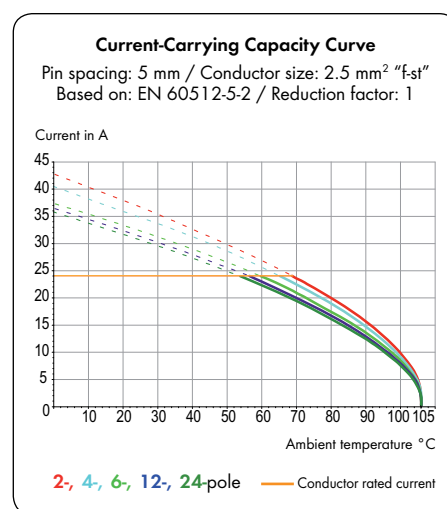
Connection technology	CAGE CLAMP®
Conductor size: solid	0.08 - 2.5 mm ²
Conductor size: fine-stranded	0.08 - 2.5 mm ²
Conductor size: fine-stranded	0.25 - 1.5 mm ² (with insulated ferrule)
Conductor size: fine-stranded	0.25 - 1.5 mm ² (with uninsulated ferrule)
AWG	28 - 12 (12: THHN, THWN)
Strip length	5 - 6 mm / 0.20 - 0.24 in
Conductor entry angle	45° to PCB
Solder pin: length/width	4 (3.6; 5.5) mm / 0.7 x 0.7 mm
Solder pin: drilled hole diameter	1.1 ^{+0.1} mm

Material data:

Material group	I
Insulating material	Nylon 6.6 (PA 6.6)
Temperature stability	-60°C to +105°C
Flammability rating per UL 94	V0
Clamping spring material	Chrome-nickel spring steel (CrNi)
Contact material	Electrolytic copper (E _{Cu})
Contact plating	tin-plated

Technical data for Ex e II () versions:

Pin Spacing	5/5.08 mm 0.2 in	7.5/7.62 mm 0.3 in	10/10.16 mm 0.4 in
Rating per	ATEX: PTB 06 ATEX 1061 U IECEx: PTB 06.0042 U		
Rated voltage	176 V	275 V	440 V
Nominal current	16 A	16 A	16 A



236 Series accessories:

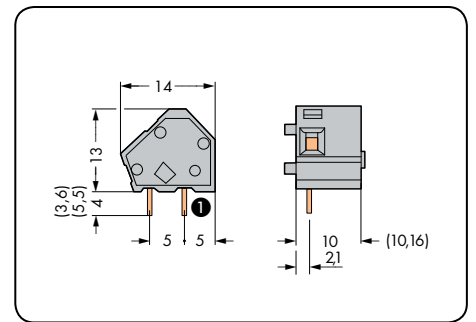
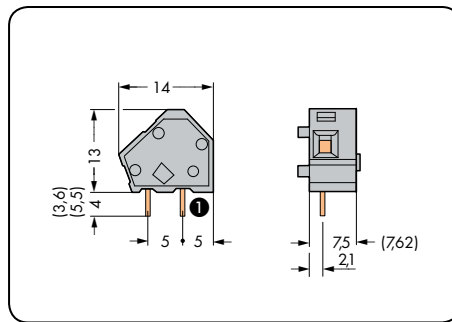
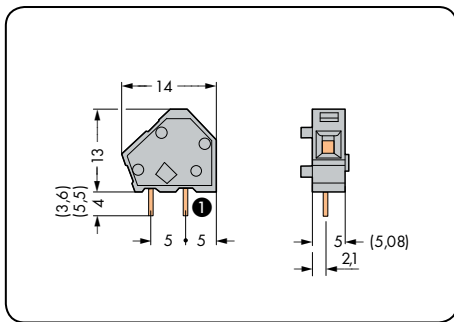
Page:

Marking accessories	498 - 501
Operating tools	490 - 493
Commoning strips	67 - 69
Test plug modules	186

Modular PCB Terminal Blocks 2.5 mm²

CAGE CLAMP®

Pin spacing 5/5.08 mm / 0.2 in		Pin spacing 7.5/7.62 mm / 0.3 in		Pin spacing 10/10.16 mm / 0.4 in	
0.08 - 2.5 mm ² 320 V/4 kV/2 24 A	AWG 28 - 12 300 V/10 A	0.08 - 2.5 mm ² 630 V/6 kV/2 24 A	AWG 28 - 12 300 V/10 A	0.08 - 2.5 mm ² 1000 V/8 kV/2 24 A	AWG 28 - 12 300 V/10 A



① Solder pin position for modular terminal block with one solder pin (rear side)

Color	Item No.	Item No.	Pack. Unit	Color	Item No.	Item No.	Pack. Unit	Color	Item No.	Item No.	Pack. Unit
Modular terminal block				Modular terminal block				Modular terminal block			
1 solder pin/pole		2 solder pins/pole		1 solder pin/pole		2 solder pins/pole		1 solder pin/pole		2 solder pins/pole	
gray	236-101	236-401	600 (6 x 100)	gray	236-201	236-501	400 (4 x 100)	gray	236-301	236-601	300 (3 x 100)
red	236-710	236-740	600 (6 x 100)	dark gray	236-722	236-752	400 (4 x 100)	dark gray	236-732	236-762	300 (3 x 100)
yellow	236-711	236-741	600 (6 x 100)	light gray	236-723	236-753	400 (4 x 100)	light gray	236-733	236-763	300 (3 x 100)
dark gray	236-712	236-742	600 (6 x 100)	① blue	236-724	236-754	400 (4 x 100)	① blue	236-734	236-764	300 (3 x 100)
light gray	236-713	236-743	600 (6 x 100)	green	236-725	236-755	400 (4 x 100)	green	236-735	236-765	300 (3 x 100)
blue	236-714	236-744	600 (6 x 100)	orange	236-726	236-756	400 (4 x 100)	orange	236-736	236-766	300 (3 x 100)
green	236-715	236-745	600 (6 x 100)	light green	236-727	236-757	400 (4 x 100)	light green	236-737	236-767	300 (3 x 100)
orange	236-716	236-746	600 (6 x 100)	black	236-855	236-852	400 (4 x 100)	black	236-856	236-853	300 (3 x 100)
light green	236-717	236-747	600 (6 x 100)	brown	236-885	236-882	400 (4 x 100)				
purple	236-894	236-891	600 (6 x 100)								
black	236-854	236-851	600 (6 x 100)								
brown	236-884	236-881	600 (6 x 100)								
Ex e ll	236-713/999-950			Ex e ll	236-723/999-950			Ex e ll	236-733/999-950		
				① Suitable for Ex i applications				① Suitable for Ex i applications			
Item no. suffix for 2 solder pins/pole with 3.6 mm long solder pins: /334-000											
Item no. suffix for 2 solder pins/pole with 5.5 mm long solder pins: /332-000											

End plates for 236 Series, snap-on type, 1 mm/0.039 in thick	Color	Item No.	Pack. Unit
	gray	236-100	100
	dark gray	236-200	100
	light gray	236-300	100
	blue	236-400	100
	green	236-500	100
	orange	236-600	100
	light green	236-700	100
	red	236-800	100
black	236-850	100	

For other colors, please contact factory.

PCB Terminal Strips 2.5 mm² Pin Spacing 5/5.08 mm, 7.5/7.62 mm, 10/10.16 mm 236 Series



- Terminal strips with CAGE CLAMP® connection, screwdriver actuation parallel or perpendicular to conductor entry
- versions with Ex e (increased safety) approval
- Mixed-color terminal strips from factory
- Operating tools for factory wiring
- 45° conductor entry angle provides a wide variety of applications and wiring options
- Set to metric or inch pin spacing by compressing terminal strips together or pulling them apart

Technical data:

Pin Spacing	5/5.08 mm 0.2 in			7.5/7.62 mm 0.3 in			10/10.16 mm 0.4 in		
	IEC/EN 60664-1			IEC/EN 60664-1			IEC/EN 60664-1		
Rating per	III	III	II	III	III	II	III	III	II
Overtoltage category	3	2	2	3	2	2	3	2	2
Pollution degree	3	2	2	3	2	2	3	2	2
Rated voltage	250 V	320 V	630 V	400 V	630 V	1000 V	630 V	1000 V	1000 V
Rated surge voltage	4 kV	4 kV	4 kV	6 kV	6 kV	6 kV	8 kV	8 kV	8 kV
Nominal current	24 A	24 A	24 A	24 A	24 A	24 A	24 A	24 A	24 A
Approvals per	UL/CSA			UL/CSA			UL/CSA		
Use group UL 1059	B	C	D	B	C	D	B	C	D
Rated voltage	300 V	-	300 V	300 V	-	300 V	300 V	-	300 V
Nominal current UL	15 A	-	10 A	15 A	-	10 A	15 A	-	10 A
Nominal current CSA	15 A	-	10 A	15 A	-	10 A	15 A	-	10 A

Conductor and solder pin data:

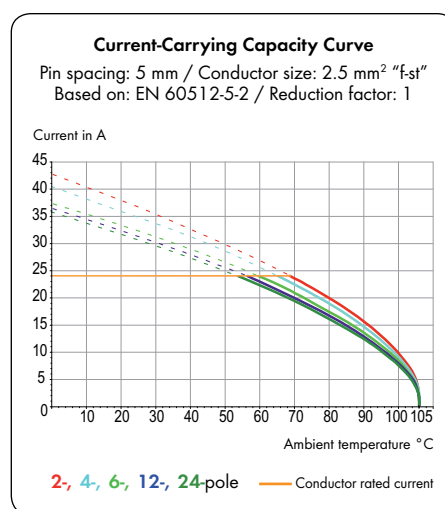
Connection technology	CAGE CLAMP®
Conductor size: solid	0.08 - 2.5 mm ²
Conductor size: fine-stranded	0.08 - 2.5 mm ²
Conductor size: fine-stranded	0.25 - 1.5 mm ² (with insulated ferrule)
Conductor size: fine-stranded	0.25 - 1.5 mm ² (with uninsulated ferrule)
AWG	28 - 12 (12: THHN, THWN)
Strip length	5 - 6 mm / 0.20 - 0.24 in
Conductor entry angle	45° to PCB
Solder pin: length/width	4 (3.6; 5.5) mm / 0.7 x 0.7 mm
Solder pin: drilled hole diameter	1.1 ^{+0.1} mm

Material data:

Material group	I
Insulating material	Nylon 6.6 (PA 6.6)
Temperature stability	-60°C to +105°C
Flammability rating per UL 94	V0
Clamping spring material	Chrome-nickel spring steel (CrNi)
Contact material	Electrolytic copper (E _{Cu})
Contact plating	tin-plated

Technical data for Ex e II () versions:

Pin Spacing	5/5.08 mm 0.2 in	7.5/7.62 mm 0.3 in	10/10.16 mm 0.4 in
Rating per	ATEX: PTB 06 ATEX 1061 U IECEx: PTB 06.0042 U		
Rated voltage	176 V	275 V	440 V
Nominal current	16 A	16 A	16 A

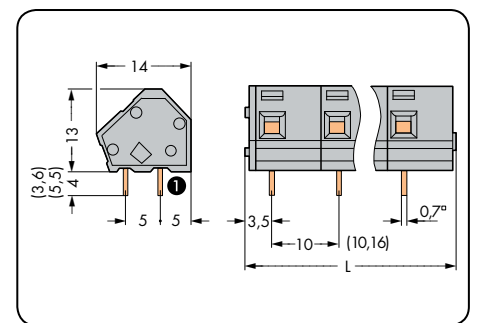
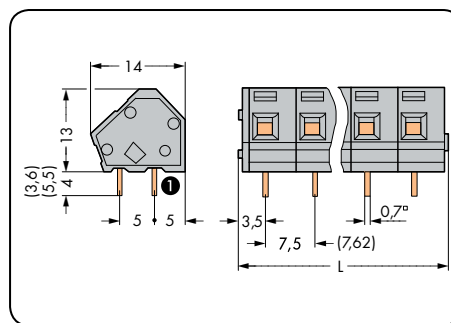
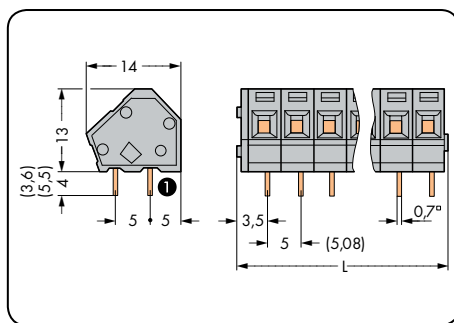
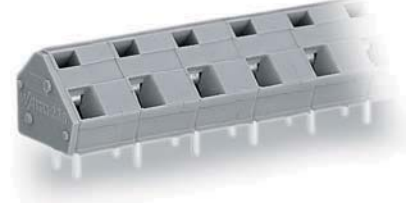
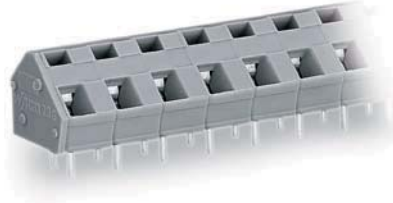
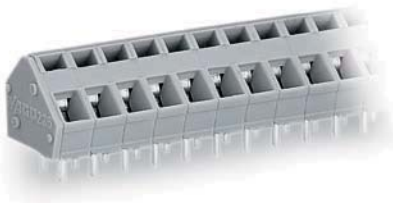


236 Series accessories:

Page:

Marking accessories	498 - 501
Operating tools	490 - 493
Commoning strips	67 - 69
Test plug modules	186

Pin spacing 5/5.08 mm / 0.2 in		Pin spacing 7.5/7.62 mm / 0.3 in		Pin spacing 10/10.16 mm / 0.4 in	
0.08 – 2.5 mm ² 320 V/4 kV/2 24 A	AWG 28 – 12 300 V/10 A	0.08 – 2.5 mm ² 630 V/6 kV/2 24 A	AWG 28 – 12 300 V/10 A	0.08 – 2.5 mm ² 1000 V/8 kV/2 24 A	AWG 28 – 12 300 V/10 A



L = (pole no. x pin spacing) + 2.3 mm

① Solder pin position for modular terminal block with 1 solder pin (rear side)

Pole No.	Item No.	Item No.	Pack. Unit	Pole No.	Item No.	Item No.	Pack. Unit	Pole No.	Item No.	Item No.	Pack. Unit
Terminal strip, 2 solder pins/pole, gray				Terminal strip, 2 solder pins/pole, gray				Terminal strip, 2 solder pins/pole, gray			
1 solder pin/pole		2 solder pins/pole		1 solder pin/pole		2 solder pins/pole		1 solder pin/pole		2 solder pins/pole	
2	236-102	236-402	420 (4 x 105)	2	236-202	236-502	280 (4 x 70)	2	236-302	236-602	200 (4 x 50)
3	236-103	236-403	280 (4 x 70)	3	236-203	236-503	200 (4 x 50)	3	236-303	236-603	140 (4 x 35)
4	236-104	236-404	220 (4 x 55)	4	236-204	236-504	140 (4 x 35)	4	236-304	236-604	100 (4 x 25)
6	236-106	236-406	140 (4 x 35)	6	236-206	236-506	100 (4 x 25)	6	236-306	236-606	80 (4 x 20)
8	236-108	236-408	100 (4 x 25)	8	236-208	236-508	80 (4 x 20)	8	236-308	236-608	60 (4 x 15)
12	236-112	236-412	80 (4 x 20)	12	236-212	236-512	40 (4 x 10)	12	236-312	236-612	40 (4 x 10)
16	236-116	236-416	60 (4 x 15)	16	236-216	236-516	40 (4 x 10)	16	236-316	236-616	20 (4 x 5)
24	236-124	236-424	40 (4 x 10)	24	236-224	236-524	20 (4 x 5)	24	236-324	236-624	20 (4 x 5)
36	236-136	236-436	20 (4 x 5)								
48	236-148	236-448	20 (4 x 5)								

Item no. suffix for 2 solder pins/pole with 3.6 mm long solder pins: /334-000

Item no. suffix for 2 solder pins/pole with 5.5 mm long solder pins: /332-000

Item no. suffixes for Ex e II and Ex i applications:

- Ex e II /000-009/999-950
- ① Ex i /000-006 (only for 7.5/7.62 mm and 10/10.16 mm pin spacing)

Ordering example:

Terminal strip, 10/10.16 mm pin spacing,
8-pole, Ex e II: **236-308/000-009/999-950**

Item no. suffixes for colored terminal strips:

- black /000-004
- ① blue /000-006
- dark gray /000-008
- light gray /000-009
- orange /000-012
- light green /000-017
- green /000-023

Ordering example:

Terminal strip, 5/5.08 mm pin spacing,
2 solder pins/pole
8-pole, orange: **236-408/000-012**

