

# Modular PCB Terminal Blocks and Strips with Push-Buttons 2.5 mm<sup>2</sup> Pin Spacing 5/5.08 mm, 7.5/7.62 mm, 10/10.16 mm 255 Series



- Modular terminal blocks and terminal strips with push-button actuated CAGE CLAMP® termination
- ⓧ version with Ex e (increased safety) approval
- Set to metric or inch pin spacing by compressing terminal strips together or pulling them apart
- Ideal for in-the-field wiring thanks to simplified push-button actuation
- Convenient, tool-free operation

### Technical data:

Pin Spacing	5/5.08 mm 0.197/0.2 in			7.5/7.62 mm 0.295/0.3 in			10/10.16 mm 0.394/0.4 in		
Rating per	IEC/EN 60664-1			IEC/EN 60664-1			IEC/EN 60664-1		
Overtoltage category	III	III	II	III	III	II	III	III	II
Pollution degree	3	2	2	3	2	2	3	2	2
Rated voltage	320 V	320 V	630 V	500 V	630 V	1000 V	630 V	1000 V	1000 V
Rated surge voltage	4 kV	4 kV	4 kV	6 kV	6 kV	6 kV	8 kV	8 kV	8 kV
Nominal current	24 A	24 A	24 A	24 A	24 A	24 A	24 A	24 A	24 A
Approvals per	UL/CSA			UL/CSA			UL/CSA		
Use group UL 1059	B	C	D	B	C	D	B	C	D
Rated voltage	300 V	-	300 V	300 V	-	300 V	300 V	-	300 V
Nominal current UL	15 A	-	10 A	15 A	-	10 A	15 A	-	10 A
Nominal current CSA	15 A	-	10 A	15 A	-	10 A	15 A	-	10 A

### Conductor and solder pin data:

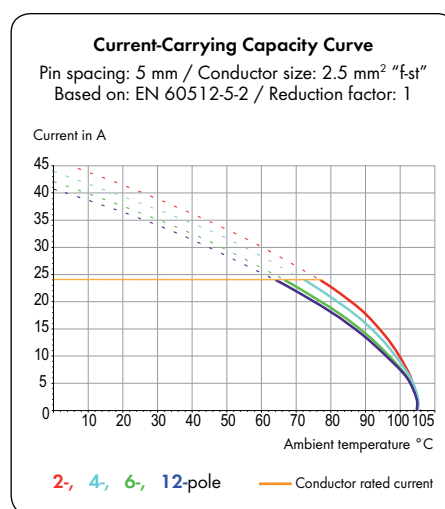
Connection technology	CAGE CLAMP®
Conductor size: solid	0.08 - 2.5 mm <sup>2</sup>
Conductor size: fine-stranded	0.08 - 2.5 mm <sup>2</sup>
Conductor size: fine-stranded	0.25 - 1.5 mm <sup>2</sup> (with insulated ferrule)
Conductor size: fine-stranded	0.25 - 1.5 mm <sup>2</sup> (with uninsulated ferrule)
AWG	28 - 12 (12: THHN, THWN)
Strip length	5 - 6 mm / 0.20 - 0.24 in
Conductor entry angle	90° to PCB
Solder pin: length/width	4 mm / 0.7 x 0.7 mm
Solder pin: drilled hole diameter	1.1 <sup>+0.1</sup> mm

### Material data:

Material group	I
Insulating material	Nylon 6.6 (PA 6.6)
Temperature stability	-60°C to +105°C
Flammability rating per UL 94	V0
Clamping spring material	Chrome-nickel spring steel (CrNi)
Contact material	Electrolytic copper (E <sub>cu</sub> )
Contact plating	tin-plated

### Technical data for Ex e II (ⓧ) versions:

Pin Spacing	5/5.08 mm 0.197/0.2 in	7.5/7.62 mm 0.295/0.3 in	10/10.16 mm 0.394/0.4 in
Rating per	ATEX: PTB 06 ATEX 1061 U IECEx: IECEx PTB 06.0042 U		
Rated voltage	275 V	352 V	550 V
Nominal current	16 A	16 A	16 A



### 255 Series accessories:

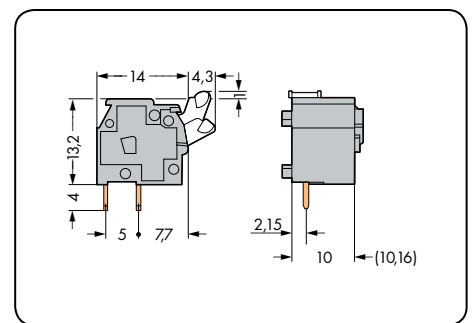
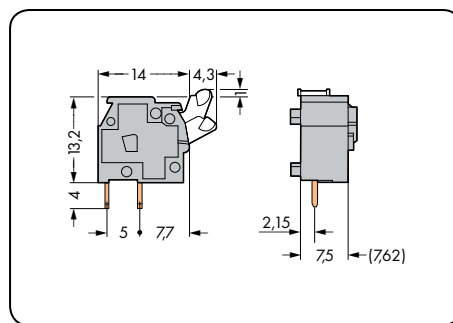
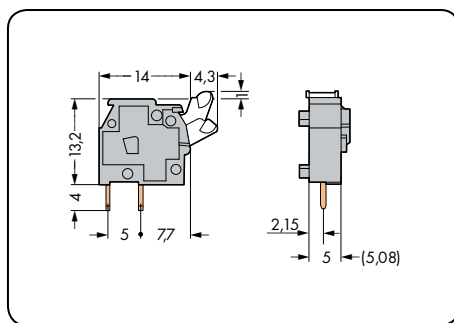
### Page:




Marking accessories	498 - 501
Operating tools	490 - 493
Commoning strips	67 - 69
Test plug adapter	184


# Modular PCB Terminal Blocks with Push-Buttons 2.5 mm<sup>2</sup>

CAGE CLAMP®

Pin spacing 5/5.08 mm / 0.2 in		Pin spacing 7.5/7.62 mm / 0.3 in		Pin spacing 10/10.16 mm / 0.4 in	
0.08 - 2.5 mm <sup>2</sup> 320 V/4 kV/2 24 A	AWG 28 - 12 300 V/10 A	0.08 - 2.5 mm <sup>2</sup> 630 V/6 kV/2 24 A	AWG 28 - 12 300 V/10 A	0.08 - 2.5 mm <sup>2</sup> 1000 V/8 kV/2 24 A	AWG 28 - 12 300 V/10 A



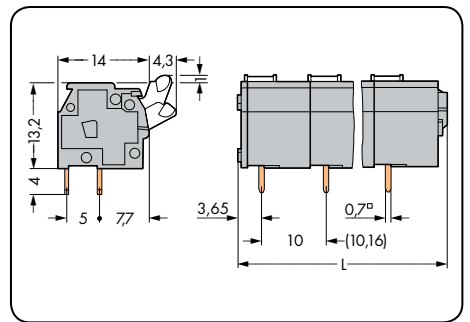
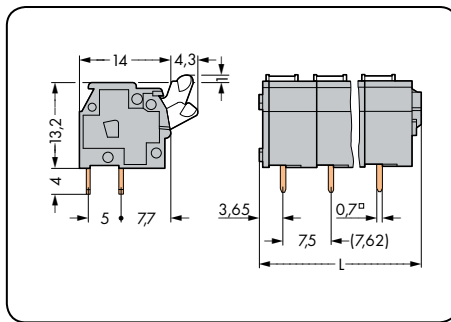
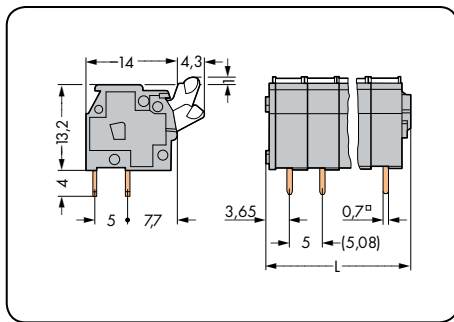
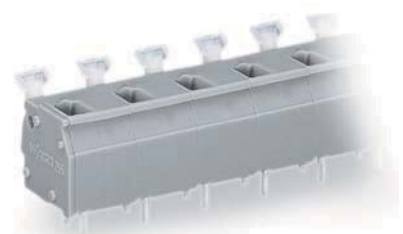
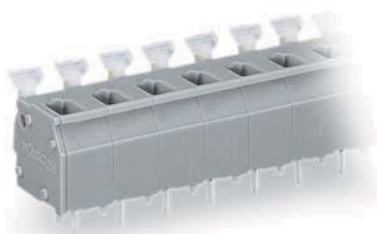
Color	Item No.	Pack. Unit	Color	Item No.	Pack. Unit	Color	Item No.	Pack. Unit
<b>Modular terminal block with push-button, 2 solder pins/pole</b>			<b>Modular terminal block with push-button, 2 solder pins/pole</b>			<b>Modular terminal block with push-button, 2 solder pins/pole</b>		
gray	255-401	500 (5 x 100)	gray	255-501	400 (4 x 100)	gray	255-601	300 (3 x 100)
red	255-740	500 (5 x 100)	red	255-750	400 (4 x 100)	red	255-760	300 (3 x 100)
yellow	255-741	500 (5 x 100)	yellow	255-751	400 (4 x 100)	yellow	255-761	300 (3 x 100)
dark gray	255-742	500 (5 x 100)	dark gray	255-752	400 (4 x 100)	dark gray	255-762	300 (3 x 100)
light gray	255-743	500 (5 x 100)	light gray	255-753	400 (4 x 100)	light gray	255-763	300 (3 x 100)
blue	255-744	500 (5 x 100)	blue	255-754	400 (4 x 100)	blue	255-764	300 (3 x 100)
orange	255-746	500 (5 x 100)	orange	255-756	400 (4 x 100)	orange	255-766	300 (3 x 100)
light green	255-747	500 (5 x 100)	light green	255-757	400 (4 x 100)	light green	255-767	300 (3 x 100)
black	255-748	500 (5 x 100)	black	255-758	400 (4 x 100)	black	255-768	300 (3 x 100)
○ Ex e II	255-743/999-950		○ Ex e II	255-753/999-950		○ Ex e II	255-763/999-950	
			ⓘ Suitable for Ex i applications			ⓘ Suitable for Ex i applications		
Product Accessories	Item No.	Pack. Unit	Product Accessories	Item No.	Pack. Unit	Product Accessories	Item No.	Pack. Unit
<b>Spacer</b> for doubling the pin spacing 5/5.08 mm, gray			<b>Spacer</b> for doubling the pin spacing 7.5/7.62 mm, gray			<b>Spacer</b> for doubling the pin spacing 10/10.61 mm, gray		
	255-801	500 (5 x 100)		255-811	400 (4 x 100)		255-821	500 (5 x 100)

End plates for 255 Series, snap-on type, 1 mm/0.039 in thick	Color	Item No.	Pack. Unit
	gray	255-100	100
	dark gray	255-200	100
	light gray	255-300	100
	blue	255-400	100
	red	255-500	100
	orange	255-600	100
	light green	255-700	100
	black	255-800	100

Please contact factory for other lengths, colors, mixed-color terminal strips, or direct marking.

# PCB Terminal Strips with Push-Buttons 2.5 mm<sup>2</sup>

Pin spacing 5/5.08 mm / 0.2 in		Pin spacing 7.5/7.62 mm / 0.3 in		Pin spacing 10/10.16 mm / 0.4 in	
0.08 - 2.5 mm <sup>2</sup> 320 V/4 kV/2 24 A	AWG 28 - 12 300 V/10 A	0.08 - 2.5 mm <sup>2</sup> 630 V/6 kV/2 24 A	AWG 28 - 12 300 V/10 A	0.08 - 2.5 mm <sup>2</sup> 1000 V/8 kV/2 24 A	AWG 28 - 12 300 V/10 A



$L = (\text{pole no.} \times \text{pin spacing}) + 2.9 \text{ mm}$

Pole No.	Item No.	Pack. Unit	Pole No.	Item No.	Pack. Unit	Pole No.	Item No.	Pack. Unit
<b>Terminal strip with push-buttons, 2 solder pins/pole, gray</b>			<b>Terminal strip with push-buttons, 2 solder pins/pole, gray</b>			<b>Terminal strip with push-buttons, 2 solder pins/pole, gray</b>		
2	255-402	400 (4 x 100)	2	255-502	280 (4 x 70)	2	255-602	200 (4 x 50)
3	255-403	280 (4 x 70)	3	255-503	180 (4 x 45)	3	255-603	140 (4 x 35)
4	255-404	200 (4 x 50)	4	255-504	140 (4 x 35)	4	255-604	100 (4 x 25)
5	255-405	160 (4 x 40)	5	255-505	120 (4 x 30)	5	255-605	80 (4 x 20)
6	255-406	140 (4 x 35)	6	255-506	100 (4 x 25)	6	255-606	60 (4 x 15)
7	255-407	120 (4 x 30)	7	255-507	80 (4 x 20)	7	255-607	60 (4 x 15)
8	255-408	100 (4 x 25)	8	255-508	60 (4 x 15)	8	255-608	60 (4 x 15)
9	255-409	100 (4 x 25)	9	255-509	60 (4 x 15)	9	255-609	40 (4 x 10)
10	255-410	80 (4 x 20)	10	255-510	60 (4 x 15)	10	255-610	40 (4 x 10)
12	255-412	60 (4 x 15)	12	255-512	40 (4 x 10)	12	255-612	40 (4 x 10)
16	255-416	60 (4 x 15)	16	255-516	40 (4 x 10)	16	255-616	20 (4 x 5)
24	255-424	40 (4 x 10)	24	255-524	20 (4 x 5)	24	255-624	20 (4 x 5)
36	255-436	20 (4 x 5)						
48	255-448	20 (4 x 5)						

**Item no. suffixes for Ex e II and Ex i applications:**

- Ex e II     . . . . . /000-009/999-950
- Ex i        . . . . . /000-006 (only for 7.5/7.62 mm and 10/10.16 mm pin spacing)

**Ordering example:**  
Terminal strip, 10/10.16 mm pin spacing,  
10-pole, Ex e II: **255-610/000-009/999-950**

**Item no. suffixes for colored terminal strips:**

- red            . . . . . /000-005
  - blue          . . . . . /000-006
  - dark gray    . . . . . /000-008
  - light gray    . . . . . /000-009
  - orange        . . . . . /000-012
  - light green   . . . . . /000-017
- Ordering example:**  
Terminal strip, 5/5.08 mm pin spacing,  
8-pole, orange: **255-408/000-012**



Please contact factory for other lengths, colors, mixed-color terminal strips, or direct marking.